



5.7L V10

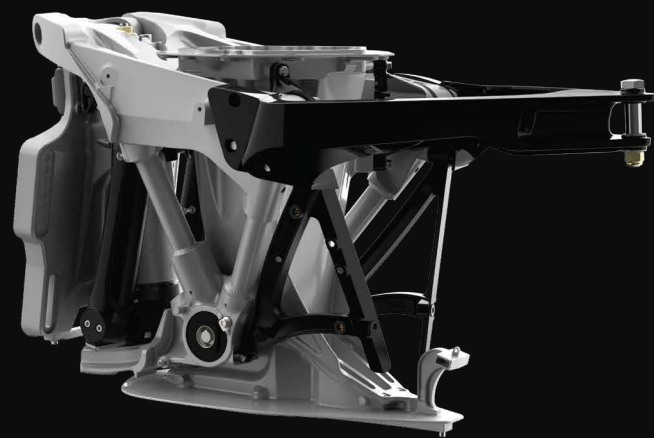
**400R**





## WIDE-OPEN POWER & TECHNOLOGY

Performance you will feel – instantly. A new naturally aspirated V10 5.7-liter powerhead features the deep-breathing Mercury Racing Quad Cam Four Valve (QC4) design with a proprietary 92mm throttle body and tuned intake to maximize airflow and power. For instant throttle response, we've installed a Mercury Racing heavy-duty throttle body servo motor and fuel pressure sensor. Transient Spark Technology digitally adjusts spark timing to optimize low-end torque without sacrificing top-end horsepower. Advanced Range Optimization utilizes electronic sensors to precisely adjust the fuel mixture for the best-possible efficiency at all speeds. A 6000-6600 WOT RPM range enhances peak horsepower and provides a broad window for propping any performance hull type. All of this thrilling power and performance is produced on readily available 87 octane (91 RON) fuel.

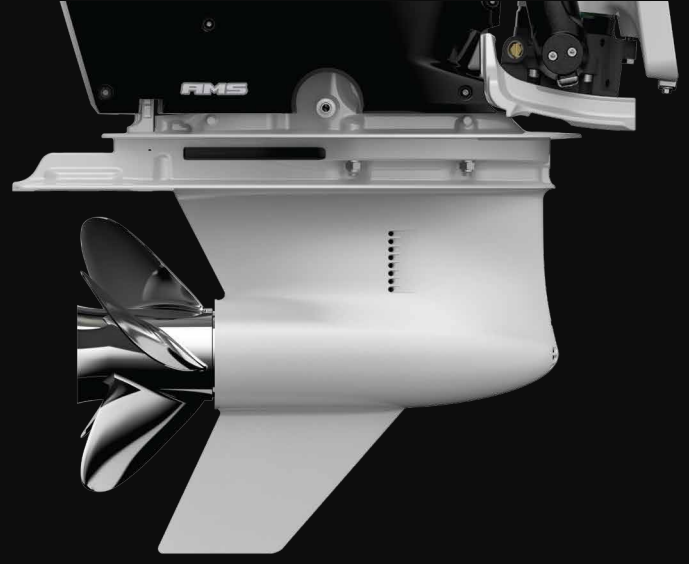


## RACING AMS

The exclusive Mercury Racing Advanced MidSection (AMS) supports the V10 400R with precision-fitted heavy-duty guide plates and stiffened engine mounts tuned to stabilize the engine for enhanced high-speed handling. An optional rear tie-bar bracket integral to the Racing AMS provides a strong, ultra-light mounting point for rock-solid precision steering on catamarans and other ultra-high-speed applications. The Racing AMS also isolates the powerhead from the transom to ensure running quality is smooth and quiet at all speeds.



SPORT MASTER GEARCASE



5.44 HD GEARCASE

## GEARCASE OPTIONS

Mercury Racing offers the V10 400R with two gearcase options to match boat performance potential. The race-proven Sport Master gearcase is a surface-piercing design intended for boats capable of exceeding 85 mph, and features low water pick-ups and a crescent leading edge to maximize speed and efficiency. The Mercury Racing 5.44 HD gearcase option is ideal for heavy bay boats and multi-engine performance center console boats that require a more submerged gearcase and benefit from added stern lift. Both gearcase options feature a 1.60:1 gear ratio.

## VENTERA™ PROPELLER

The new Mercury Racing® Ventera propeller is designed to handle big outboard horsepower on fast center consoles, day cruisers and bay boats. This 15-inch-diameter, four-blade prop was engineered specifically to carry more load with greater efficiency at high speeds and in semi-surfacing installations. Available in 18 to 27.5 pitch in half-inch increments for precise tuning of any application. Choose the hand-finished performance of a Mercury Racing Pro Finished® Ventera or step up to the perfection of a Mercury Racing Lab Finished® Ventera propeller.



## COLOR OPTIONS

Exclusive Mercury Racing graphics and Devil Eye Red trim clearly identify the Mercury Racing V10 400R. Get yours in classic Phantom Black or crisp Cold Fusion White.

PHANTOM BLACK

COLD FUSION WHITE



## 400R - V10 5.7L

<b>HORSEPOWER</b> (HP/KW)	400 / 298
<b>WOT RPM</b>	6000-6600
<b>ENGINE TYPE</b>	V10 (64-degree) with 40-Valve Dual Overhead Cam (DOHC)
<b>DISPLACEMENT</b> (LITER/CID)	5.7 / 349
<b>INDUCTION SYSTEM</b>	Naturally Aspirated
<b>FUEL REQUIREMENTS</b>	Unleaded Regular 87 Octane Minimum (R+M/2) or 91 RON
<b>CHARGING</b> (AMP/WATT)	150 / 1890
<b>THROTTLE &amp; SHIFT</b>	Digital Throttle & Shift
<b>MIDSECTION</b>	Racing Advanced Midsection
<b>INTEGRATED REAR TIE BAR BRACKET</b>	Available
<b>SHAFT LENGTHS</b> (INCH)	20, 25, 30 & 35
<b>GEARCASE</b>	Sport Master or 5.44" HD
<b>GEAR RATIO</b>	1:60:1
<b>DRY WEIGHT</b> <sup>1</sup> (LB/KG)	695 / 315
<b>WARRANTY</b> <sup>2</sup>	3-Year Limited

<sup>1</sup>Lightest Model Available

<sup>2</sup>Up to 5 Years Mercury Product Protection Available

MERCURYRACING.COM

MERCURY  
RACING